

# TYPES CMG8, CMG22 and CMG25

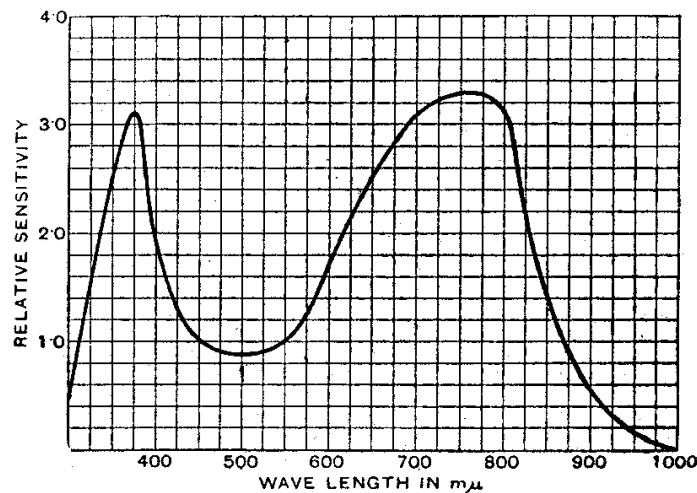
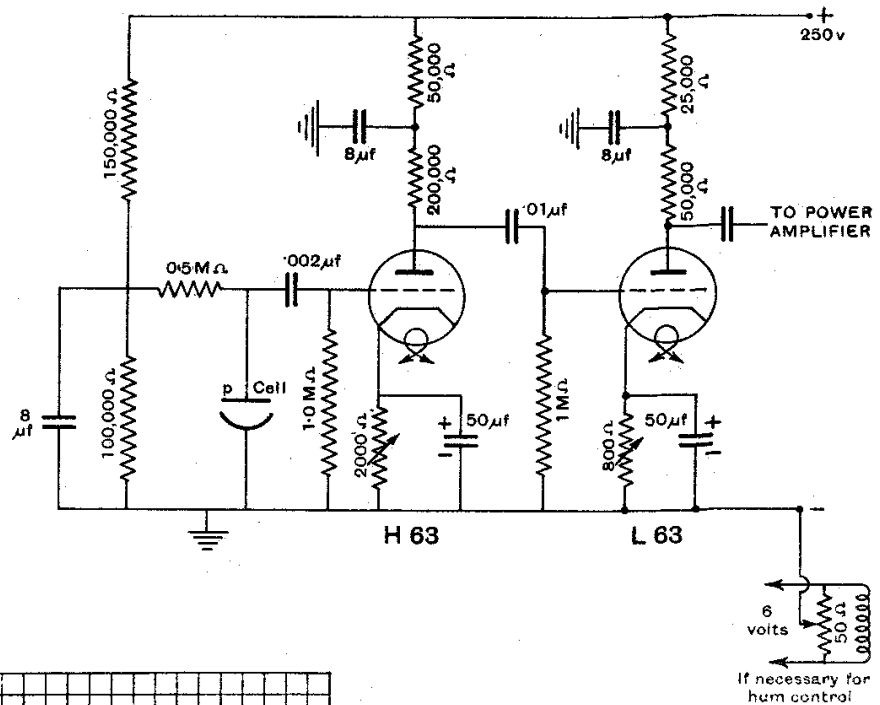
Although the photo-electric current depends on the total light reaching the cathode and not on its distribution, the light should preferably be spread over the cathode surface to avoid local inequalities of sensitivity.

The peak spectral sensitivity is at the red end of the spectrum and the response extends into the near infra red. By using a filter over the light source to cut out visible rays, relay circuits can be operated with invisible radiation.

Grade "A" cells, which differ from the standard types only in sensitivity, are usually adequate for simple relay circuits.

For making measurements of light, specially designed vacuum cells should be used.

Sensitivity exceeds	...	...	...	...	...	...	...	...	75 $\mu$ A/lumen
Grade "A" cells	...	...	...	...	...	...	...	...	50-75 $\mu$ A/lumen
Working voltage	...	...	...	...	...	...	...	...	80-110



Spectral sensitivity curve.

Circuit for photo cell used on a sound head amplifier.